



Explorer Series

Flycker multi-rotor helis 650

User Installation Manual

用户安装手册 V 1.1



Thank you for buying Flycker Product . The Flycker multi-rotor helis 650 is designed as an easy to use, Please read the manual carefully before assembling the model, and follow all precautions and recommendations located within the manual. Be sure to retain the manual for future reference, routine maintenance, and tuning.

感谢您使用Flycker多旋翼产品，为了让您容易方便的使用Flycker multi-rotor helis 650、请您先详细的阅读完本安装手册完之后再进行组装，同时请您保管好本安装手册，作为日后维修的参考。

## Important notes:

1.R/C Aircraft, including the Flycker multi-rotor helis 650 are not toys. R/C Aircraft utilize various high-tech products and Technologies to provide superior performance. Improper use of this product can result in serious injury or even death. Please read this manual carefully before using and make sure to be conscious of your own personal safety and the safety for others and your environment when operating all Flycker products. Manufacturer and seller assume no liability for the operation or the use of this product.

Intended for use only by adults with experience flying remote control helis at a legal flying field. After the sale of this product we cannot maintain any control over its operation or usage.

Flycker 650多旋翼直升机并非玩具，它是结合了许多高科技产品所设计出来的休闲产品，如使用不当或不熟悉都可能造成严重的伤害甚至死亡，安装过程使用之前请务必详细阅读完本手册，请别疏忽并注意自身安全。注意！任何遥控飞机的使用，本公司和经销商是无法对使用者于零件使用的损耗异常或组装不当、飞控失灵所发生之意外负任何责任。本产品是提供给有操作过模型直升机经验的成人或有相当技术的人员在旁指导于当地合法遥控飞行场飞行，以确保安全无误的情况下使用，本产品售出后本公司将不负任何操作不当和使用任何飞控上的操作不当，发生的事故与和安全责任。

2.Aircraft damage or dissatisfaction as a result of accidents or modifications are not covered by any warranty and cannot be returned for repair or replacement.

Fly only in safe areas, away from other people. Do not operate R/C aircraft within the vicinity of homes or crowds of people. R/C aircraft are prone to accidents, failures, and crashes due to a variety of reasons including, lack of maintenance, pilot error, and radio interference. Pilots are responsible for their actions and damage or injury occurring during the operation or as a result of R/C aircraft models.

模型属于需高操作技术且为消耗产品，如经常拆卸使用，会造成零件损耗，任何使用过程中所造成的模型不良或不满意，本司不换新品不予退货。

遥控模型飞机、属于高危险性商品，飞行时请远离人群，组装不当或者机件损坏、飞控设置不良，以及操作上的不熟悉、都有可能造成飞机损伤等不可预见的意外，请飞行者注意飞行安全，并了解自负疏忽所造成任何意外之责任。

## Safety Notes 安全注意事项:

1. Do not fly your model at crowd, near building, high voltage cables, or trees.

请勿在人群、高楼、建筑物、高压电线、树木等等中飞行；

2. Flying away from the damp environment, such as a rainy day, fog day, snow day ;

远离潮湿环境，如雨天、大雾天、大雪天等下飞行；

3. Please do not modify by self, any upgrades and maintenance, please use the parts of FLYCKER catalog ; Illegal modification and overload using, cause any damages and other life safety, we shall not take any responsibility.

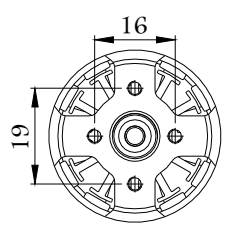
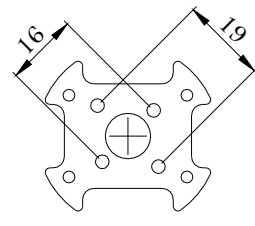
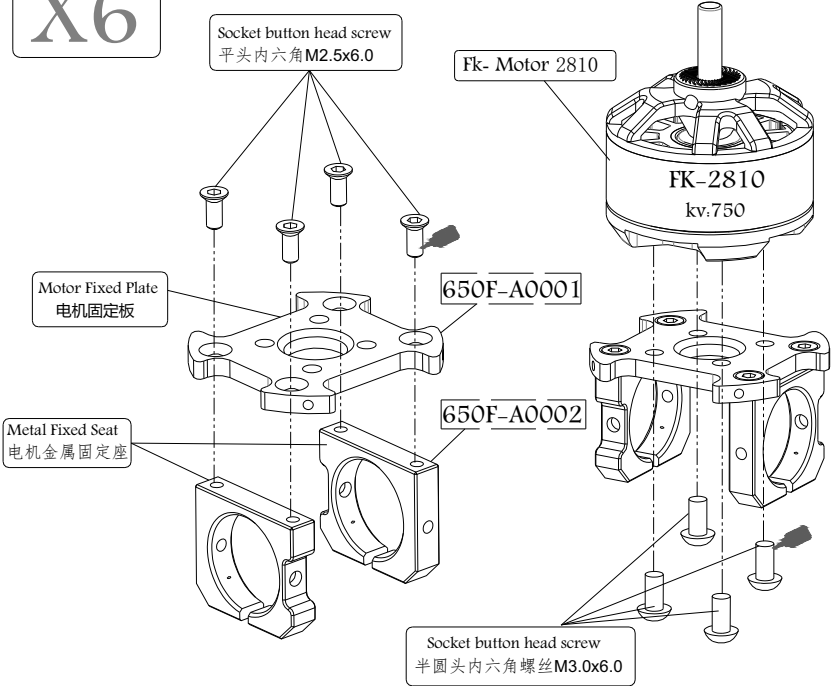
请勿自行改装，任何的升级及维修，请使用FLYCKER产品目录中的零件；无论自行改装或者过载使用的，造成任何损伤和其它人生安全本公司不负任何责任。

4. Operate this unit within your ability. Do not fly under tired condition and improper operation may cause in danger.

请在自己能力所及和需要一定技术范围内操作，请勿在过于疲劳、精神不佳或者饮酒下操作，意外发生风险将可能会提高。



## X6



Motor Fixed Plate  
电机固定板 x6

FK- Motor 2810 x6

Socket screw  
平头内六角螺丝 (M2.5x6.0)X24

Socket button head screw  
半圆头内六角螺丝 (M3.0x6.0)X24

CAUTION  
注意

Pls use the suitable screw glue when the screw fix the metal piece.  
螺丝锁于金属件请使用适量的螺丝胶。 约2MM

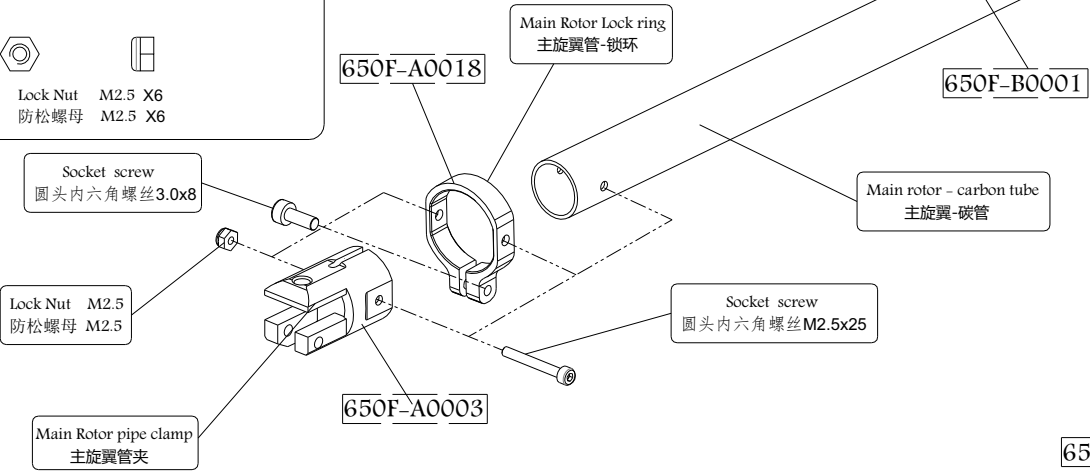
- Socket screw  
圆头内六角螺丝 (M2.5x25.0)X6
- Socket screw  
圆头内六角螺丝 (M2.5x22.0)X12
- Socket screw  
圆头内六角螺丝 (M3.0x8)X6
- Lock Nut M2.5 X6  
防松螺母 M2.5 X6

## X6

Pls install the 6 sets follow the step  
请按照此步骤安装完6组

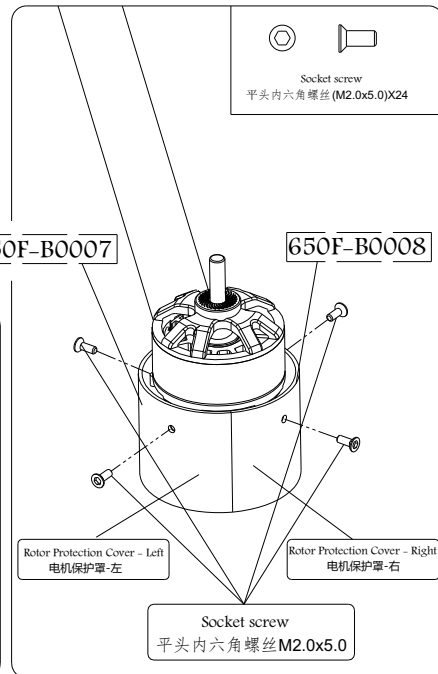
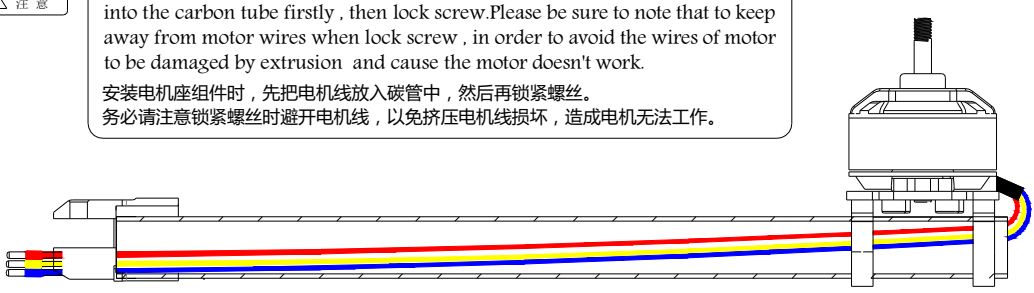
CAUTION  
注意

Attention pls make sure the screws lock into the tube clip, locking by proper torque; Extreme locking will make the carbon tube burst or cause the metal piece getting sliding.  
螺丝锁入管夹请务必注意, 适当扭力锁紧即可; 暴力锁紧会使碳管爆裂或导致金属件滑牙。



CAUTION  
注意

When install components of motor base, pls put the motor wires into the carbon tube firstly, then lock screw. Please be sure to note that to keep away from motor wires when lock screw, in order to avoid the wires of motor to be damaged by extrusion and cause the motor doesn't work.  
安装电机座组件时, 先把电机线放入碳管中, 然后再锁紧螺丝。请务必注意锁紧螺丝时避开电机线, 以免挤压电机线损坏, 造成电机无法工作。





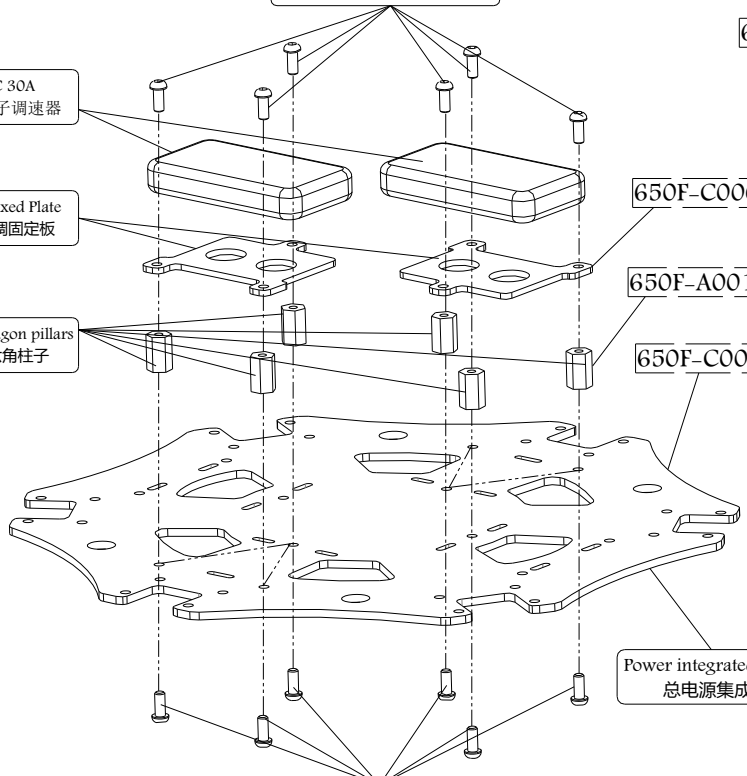
Socket button head screw  
半圆头内六角螺丝(M2.5x6.0)X24

Socket button head screw  
半圆头内六角螺丝M2.5x6.0

ESC 30A  
电子调速器

ESC Fixed Plate  
电调固定板

Hexagon pillars  
六角柱子



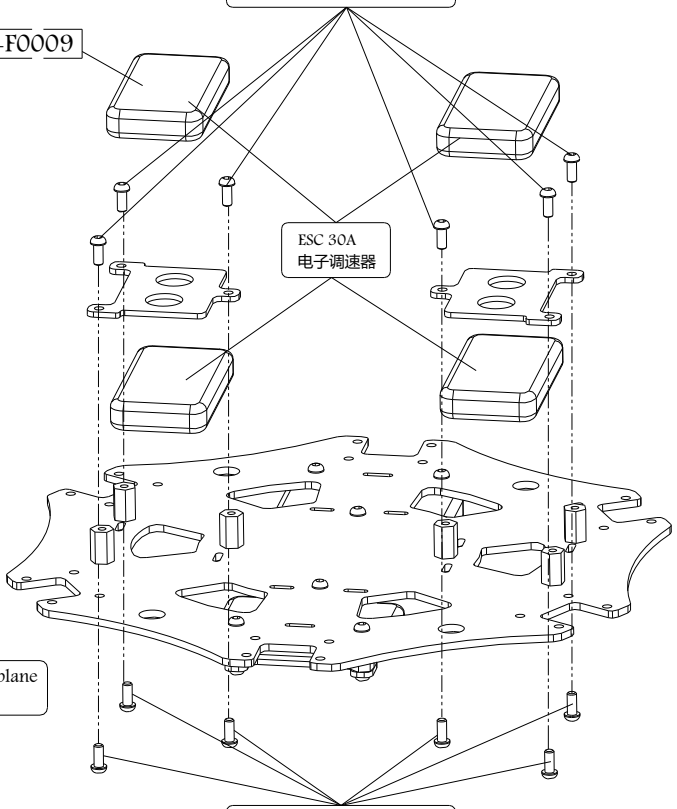
Socket button head screw  
半圆头内六角螺丝M2.5x6.0

Power integrated backplane  
总电源集成底板

650F-F0009

Socket button head screw  
半圆头内六角螺丝M2.5x6.0

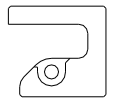
ESC 30A  
电子调速器



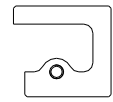
Socket button head screw  
半圆头内六角螺丝M2.5x6.0



Socket button head screw  
半圆头内六角螺丝(M2.5x6.0)X48



The fuselage fixed seat - A  
机身固定座-A

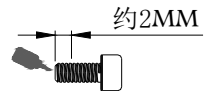


The fuselage fixed seat - B  
机身固定座-B



CAUTION  
注意

Pls use the suitable screw glue when the screw fix the metal piece.  
螺丝锁于金属件请使用适量的螺丝胶。

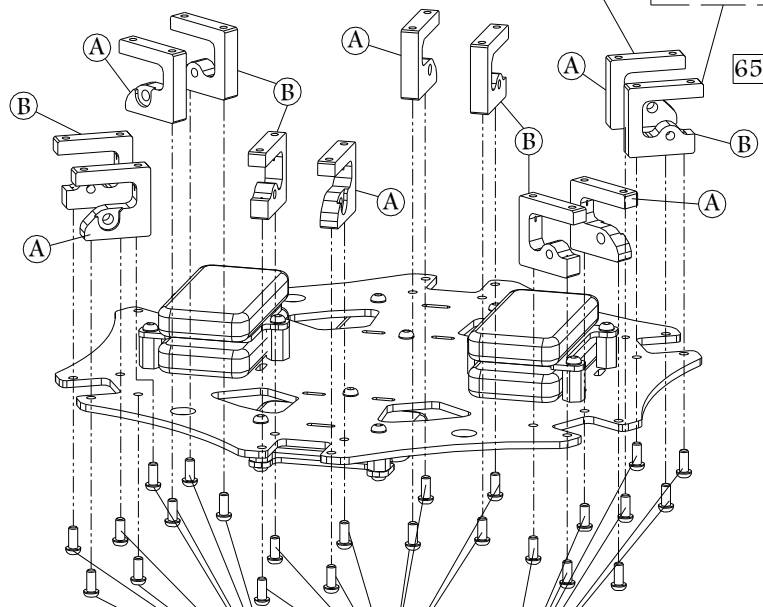


650F-A0004

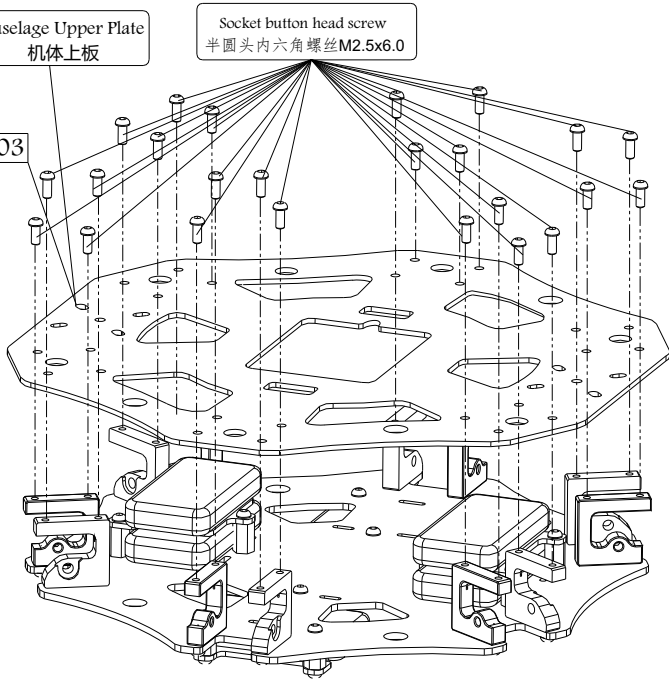
650F-A0005

Fuselage Upper Plate  
机体上板

Socket button head screw  
半圆头内六角螺丝M2.5x6.0



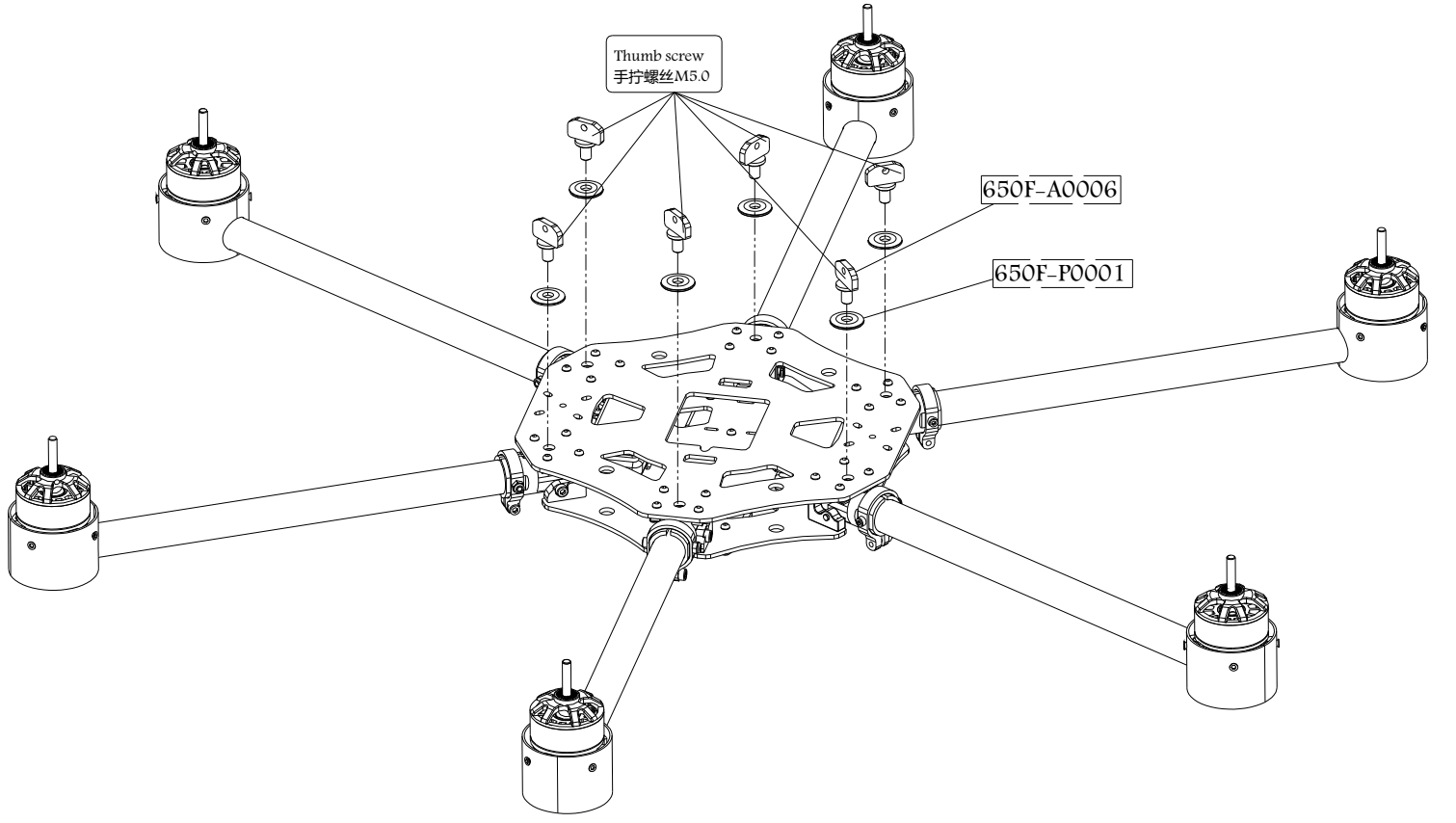
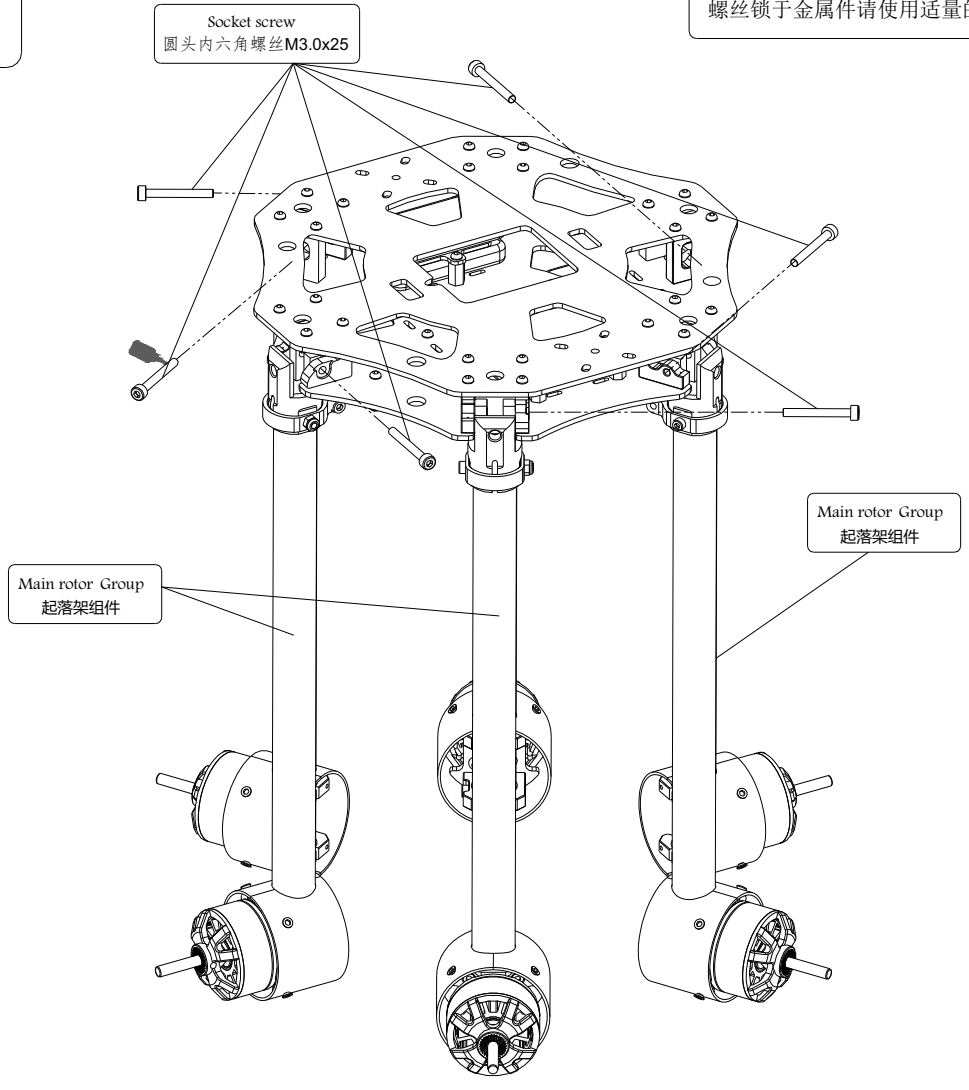
Socket button head screw  
半圆头内六角螺丝M2.5x6.0



Socket screw  
圆头内六角螺丝(M3.0x25)X6

CAUTION  
注意

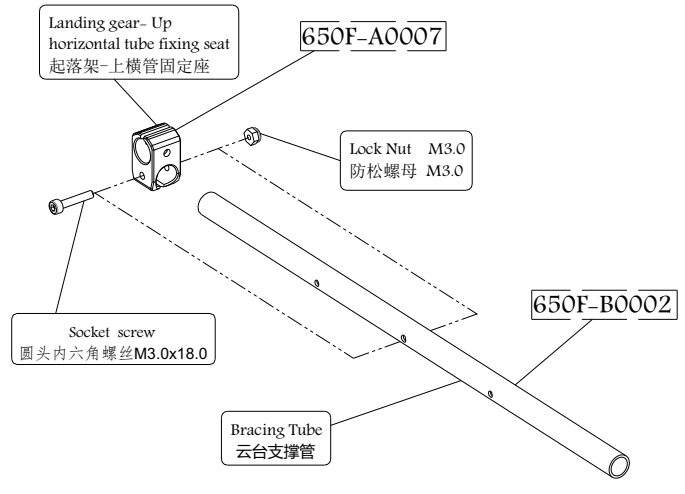
Pls use the suitable screw glue when the screw fix the metal piece.  
螺丝锁于金属件请使用适量的螺丝胶。  
约2MM



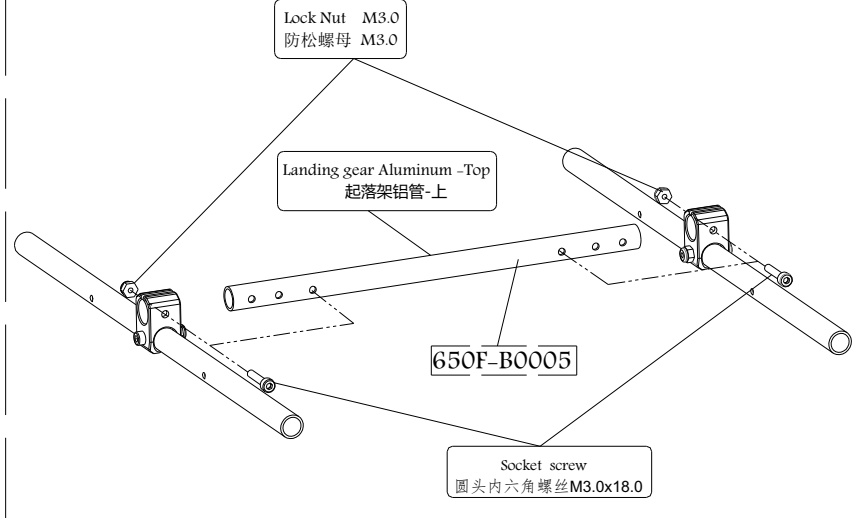
- Socket screw  
圆头内六角螺丝(M3.0x18.0)X2
- Lock Nut M3.0 X2  
防松螺母 (M3.0) X2

Pls install the 2 sets follow the step  
请按照此步骤安装完两组

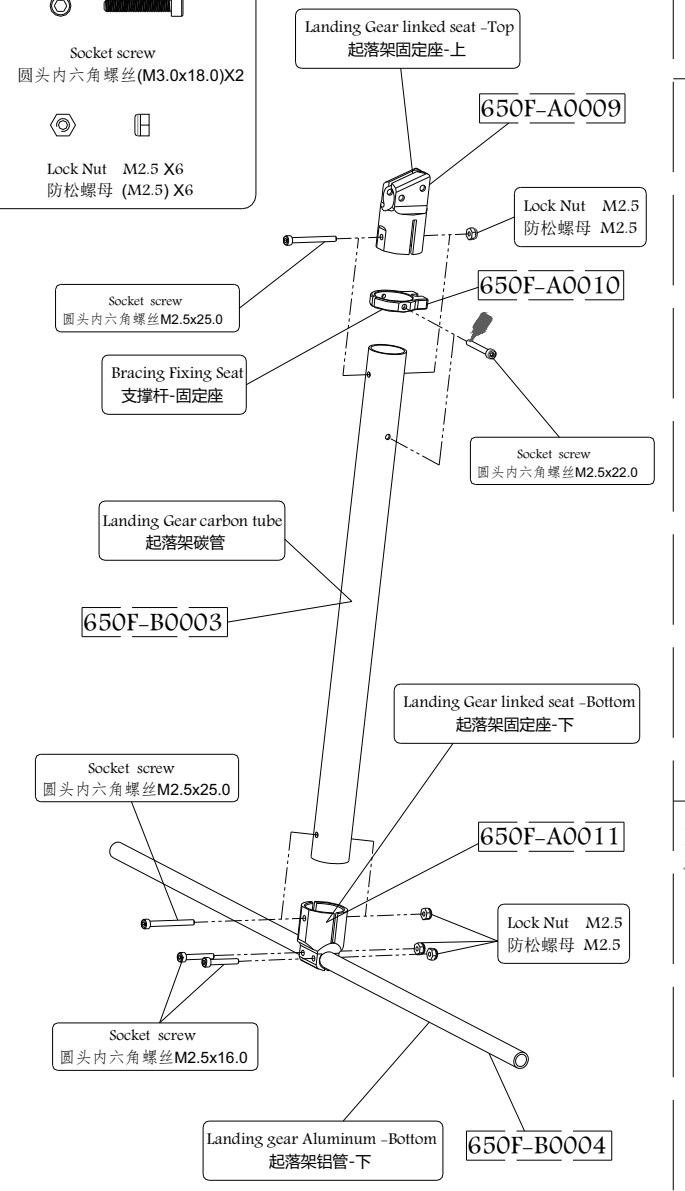
**X2**



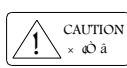
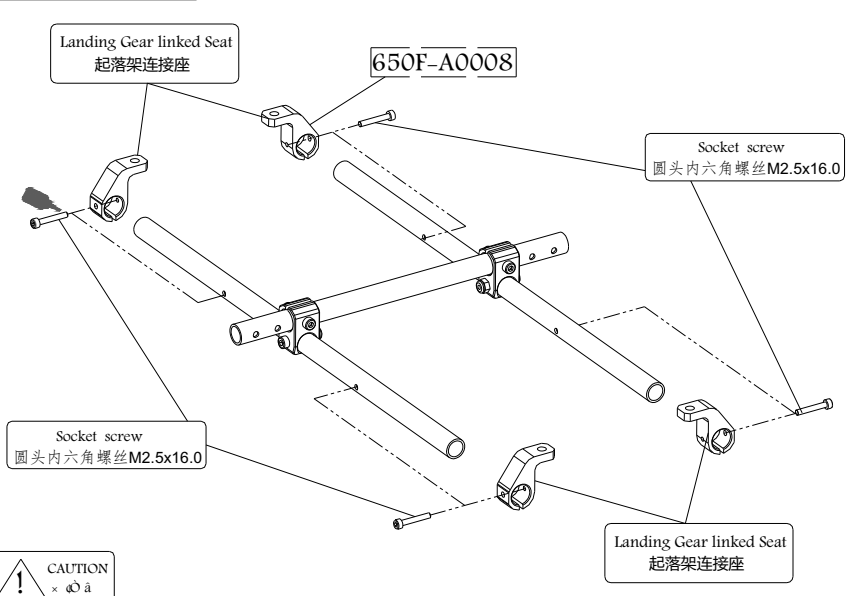
- Socket screw  
圆头内六角螺丝(M3.0x18.0)X2
- Lock Nut M3.0 X2  
防松螺母 (M3.0) X2



- Socket screw  
圆头内六角螺丝(M3.0x18.0)X2
- Lock Nut M2.5 X6  
防松螺母 (M2.5) X6



- Socket screw  
圆头内六角螺丝(M2.5x16.0)X4



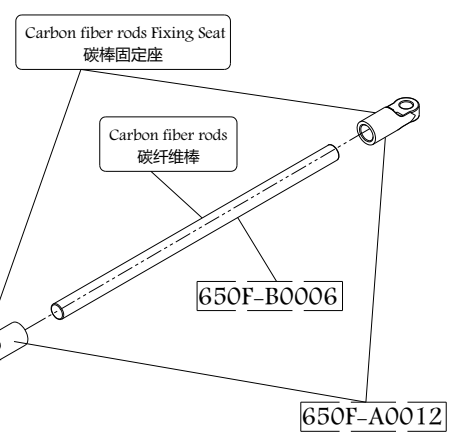
CAUTION  
× α ā

Pls use the suitable screw glue when the screw fix the metal piece.  
螺丝锁于金属件请使用适量的螺丝胶。

约2MM

Pls install the 4 sets follow the step  
请按照此步骤安装完两组

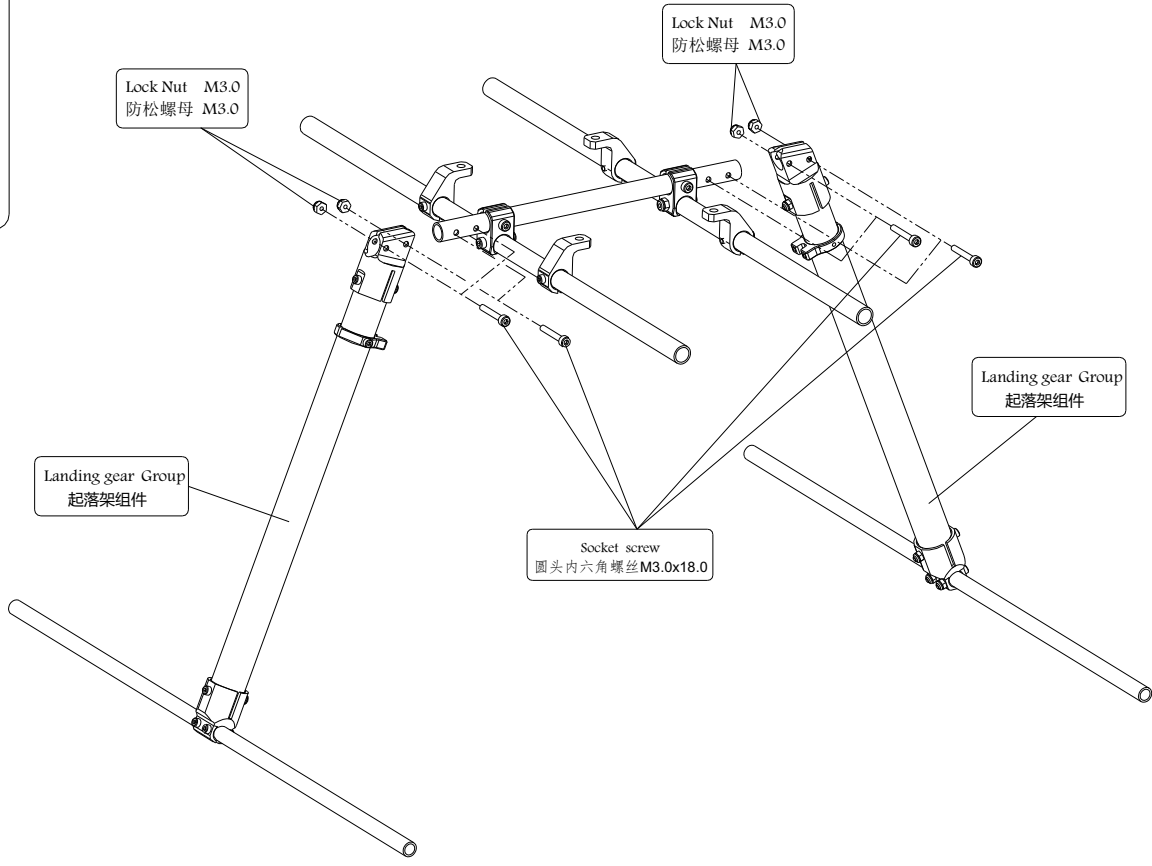
**X4**



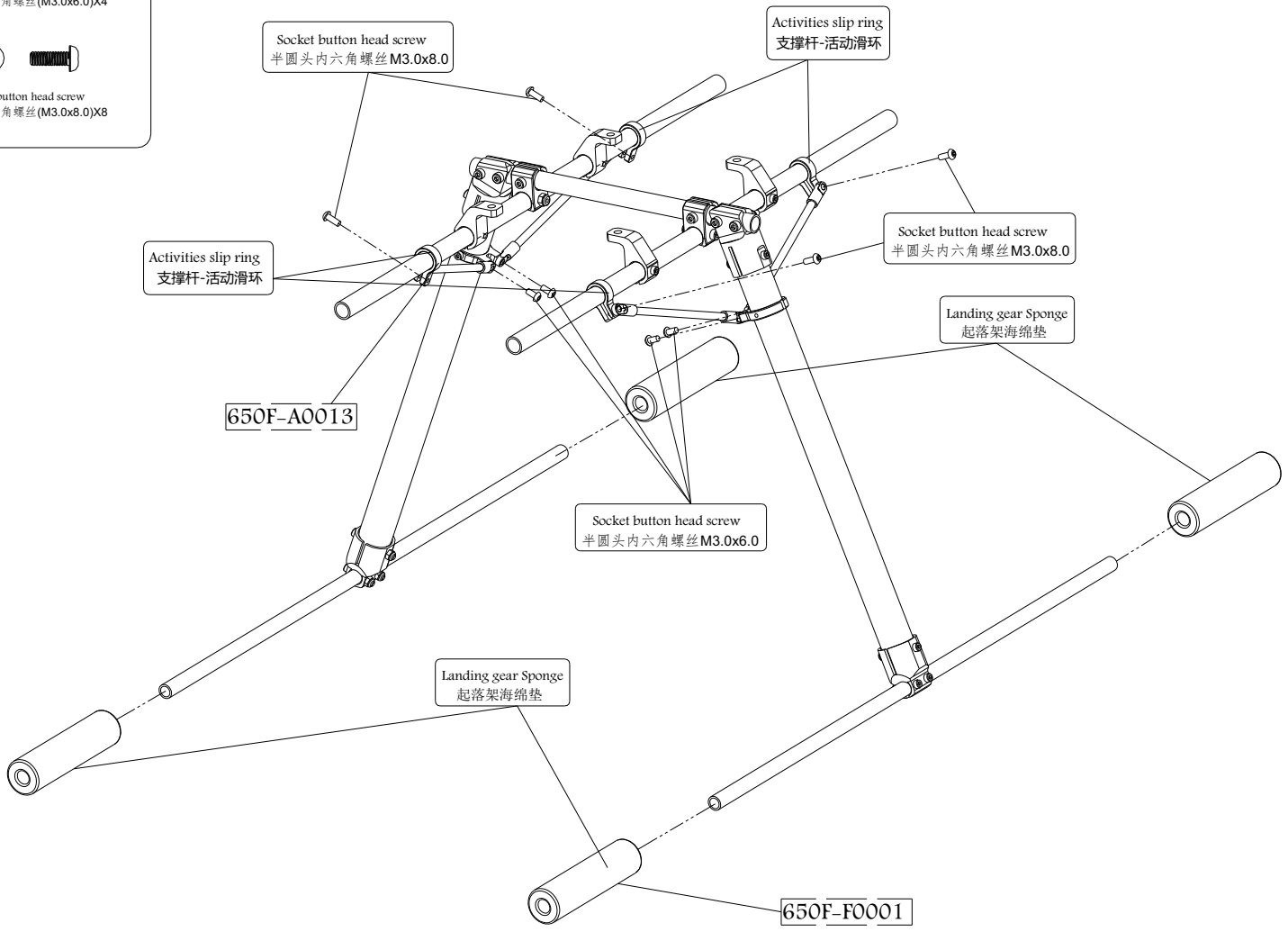
Pls install the 2 sets follow the step  
请按照此步骤安装完两组

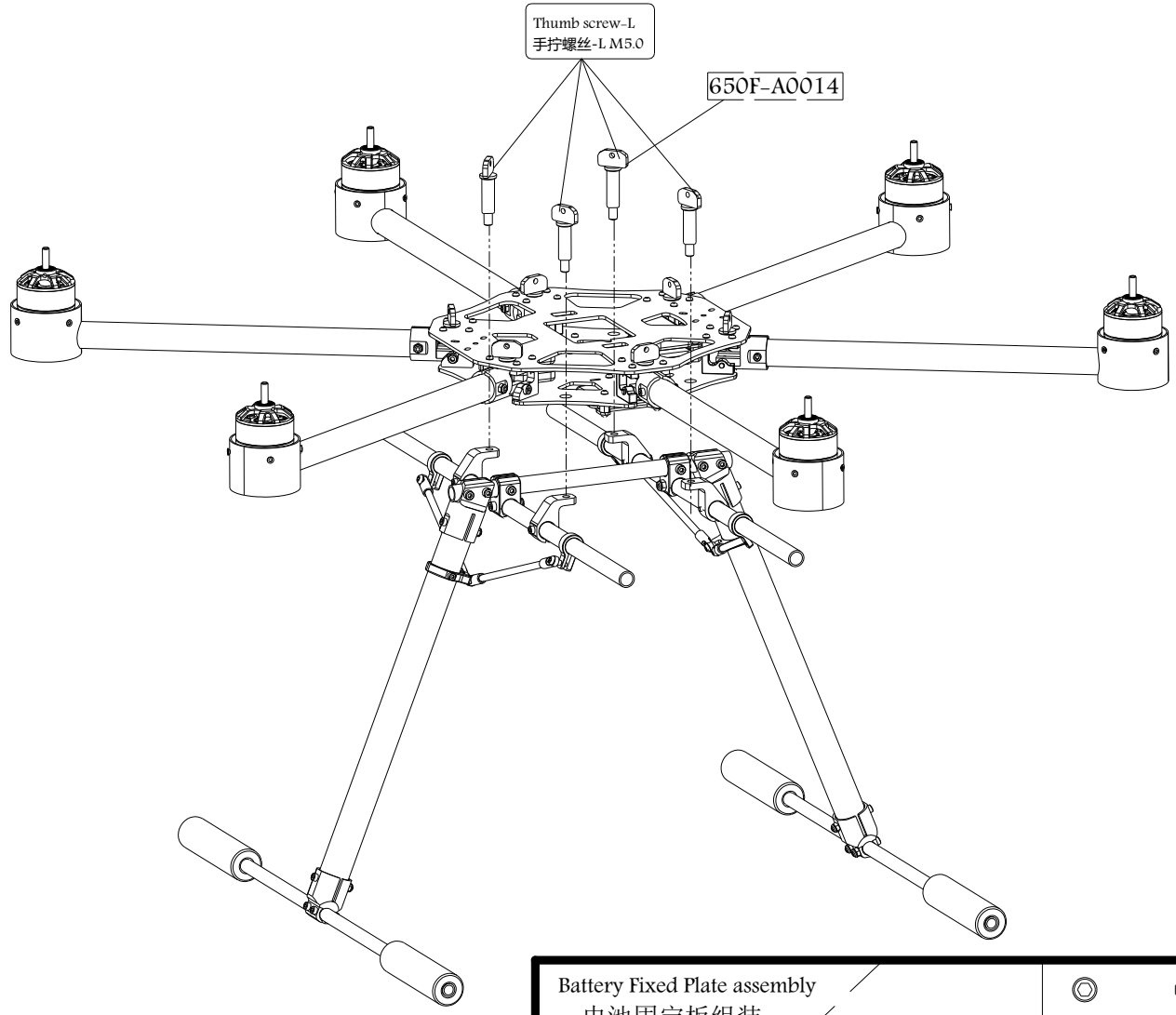
**X2**

- Socket screw  
 圆头内六角螺丝(M3.0x18.0)X2
- Lock Nut M3.0 X2  
 防松螺母 (M3.0) X2



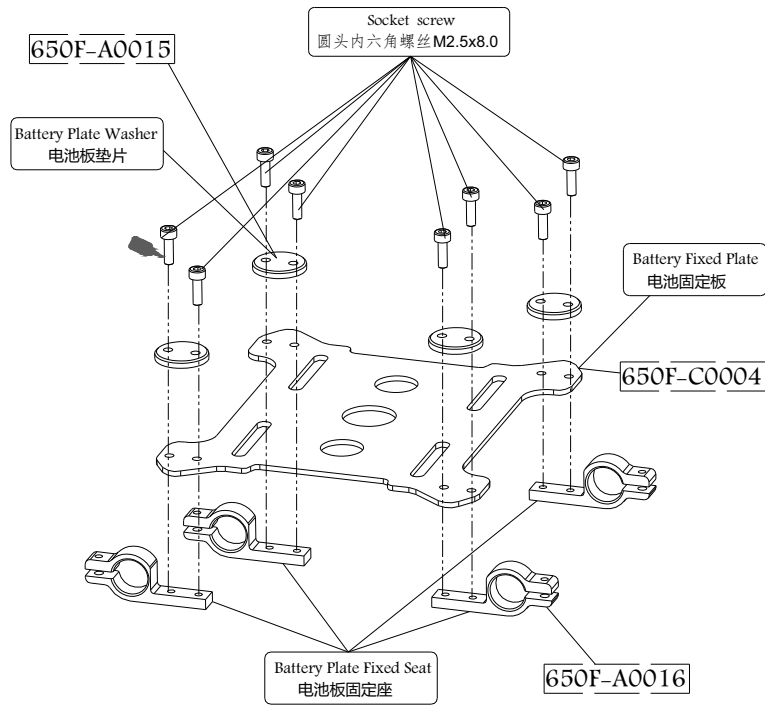
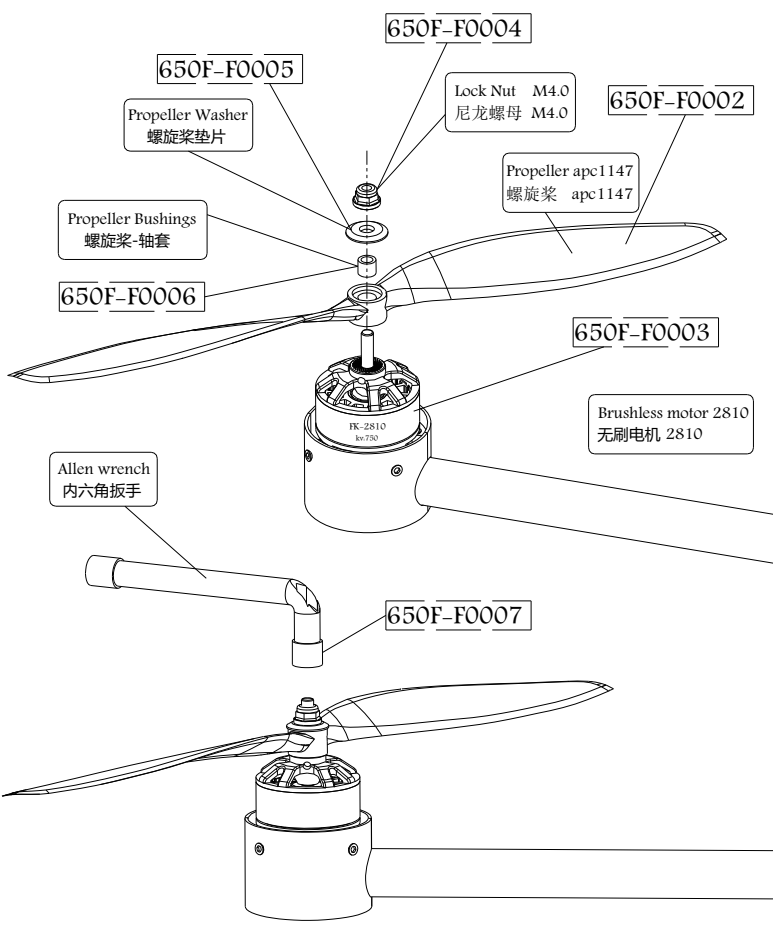
- Socket button head screw  
 半圆头内六角螺丝(M3.0x6.0)X4
- Socket button head screw  
 半圆头内六角螺丝(M3.0x8.0)X8





Battery Fixed Plate assembly  
电池固定板组装

Socket screw  
圆头内六角螺丝(M2.5x8.0)X4



CAUTION  
! x ∅ a

Pls use the suitable screw glue when the screw fix the metal piece.  
螺丝锁于金属件请使用适量的螺丝胶。

约2MM



## Part Bom 零件表

Part Number	Part name	Quantity	零件编号	零件编号	数 量
650F-A0001	Motor Fixed Plate	6 PCS	650F-A0001	电机固定板	6 PCS
650F-A0002	Metal Fixed Seat	12 PCS	650F-A0002	电机金属固定座	12 PCS
650F-A0003	Main Rotor pipe clamp	6 PCS	650F-A0003	主旋翼管夹	6 PCS
650F-A0004	The fuselage fixed seat - A	6 PCS	650F-A0004	机身固定座-A	6 PCS
650F-A0005	The fuselage fixed seat - B	6 PCS	650F-A0005	机身固定座-B	6 PCS
650F-A0006	Thumb screw-S	6 PCS	650F-A0006	手拧螺丝-S	6 PCS
650F-A0007	Landing gear- Up horizontal tube fixing seat	2 PCS	650F-A0007	起落架-上横管固定座	2 PCS
650F-A0008	Landing Gear linked Seat	4 PCS	650F-A0008	起落架连接座	4 PCS
650F-A0009	Landing Gear linked seat -Top	2 PCS	650F-A0009	起落架固定座-上	2 PCS
650F-A0010	Bracing Fixing Seat	2 PCS	650F-A0010	支撑杆-固定座	2 PCS
650F-A0011	Landing Gear linked seat -Bottom	2 PCS	650F-A0011	起落架固定座-下	2 PCS
650F-A0012	Carbon fiber rods Fixing Seat	8 PCS	650F-A0012	碳棒固定座	8 PCS
650F-A0013	Activities slip ring	4 PCS	650F-A0013	支撑杆-活动滑环	4 PCS
650F-A0014	Thumb screw-L	4 PCS	650F-A0014	手拧螺丝-L	4 PCS
650F-A0015	Battery Plate Washer	4 PCS	650F-A0015	电池板垫片	4 PCS
650F-A0016	Battery Plate Fixed Seat	4 PCS	650F-A0016	电池板固定座	4 PCS
650F-A0017	Hexagon pillars	12 PCS	650F-A0017	六角柱子	12 PCS
650F-A0018	Main Rotor Lock ring	6 PCS	650F-A0018	主旋翼管-锁环	6 PCS
650F-B0001	Main rotor - carbon tube	6 PCS	650F-B0001	主旋翼-碳管	6 PCS
650F-B0002	Bracing Tube	2 PCS	650F-B0002	云台支撑管	2 PCS
650F-B0003	Landing Gear carbon tube	2 PCS	650F-B0003	起落架-碳管	2 PCS
650F-B0004	Landing gear Aluminum -Bottom	2 PCS	650F-B0004	起落架铝管-下	2 PCS
650F-B0005	Landing gear Aluminum -Top	1 PCS	650F-B0005	起落架铝管-上	1 PCS
650F-B0006	Carbon fiber rods	4 PCS	650F-B0006	碳纤维棒	4 PCS
650F-B0007	Rotor Protection Cover - Left	6 PCS	650F-B0007	电机保护罩-左	6 PCS
650F-B0008	Rotor Protection Cover - Right	6 PCS	650F-B0008	电机保护罩-右	6 PCS
650F-C0001	ESC Fixed Plate	4 PCS	650F-C0001	电调固定板	4 PCS
650F-C0002	Power integrated backplane	1 PCS	650F-C0002	总电源集成底板	1 PCS
650F-C0003	Fuselage Upper Plate	1 PCS	650F-C0003	机体上板	1 PCS
650F-C0004	Battery Fixed Plate	1 PCS	650F-C0004	电池固定板	1 PCS



650F-F0001	Landing gear Sponge	4 PCS	650F-F0001	起落架海绵垫	4 PCS
650F-F0002	Propeller APC1147	6 PCS	650F-F0002	螺旋桨 APC1147	6 PCS
650F-F0003	Brushless motor 2810	6 PCS	650F-F0003	无刷电机 2810	6 PCS
650F-F0004	Lock Nut M4.0	6 PCS	650F-F0004	尼龙螺母	6 PCS
650F-F0005	Propeller Washer	6 PCS	650F-F0005	螺旋桨-垫片	6 PCS
650F-F0006	Propeller Bushings	6 PCS	650F-F0006	螺旋桨-轴套	6 PCS
650F-F0007	Allen wrench	1 PCS	650F-F0007	内六角扳手	1 PCS
650F-F0008	Power cord XT60	1 PCS	650F-F0008	总电源线 XT60	1 PCS
650F-F0009	ESC 30A	6 PCS	650F-F0009	电调 30A	6 PCS